

# Transporter

## Current Flow Diagram

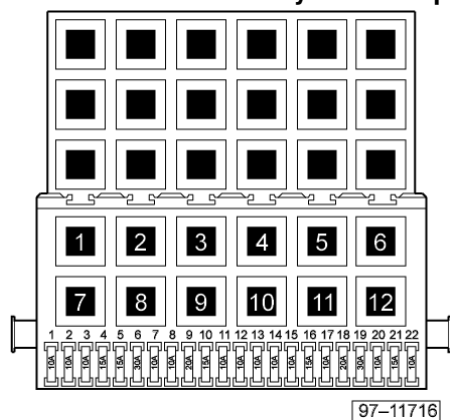
**No. 41 / 1**

Edition 04.2001

### Additional water heater D3W

From August 1998

For alternatives to relay and fuse positions as well as multi-pin connector wiring - see "Fitting locations" section.



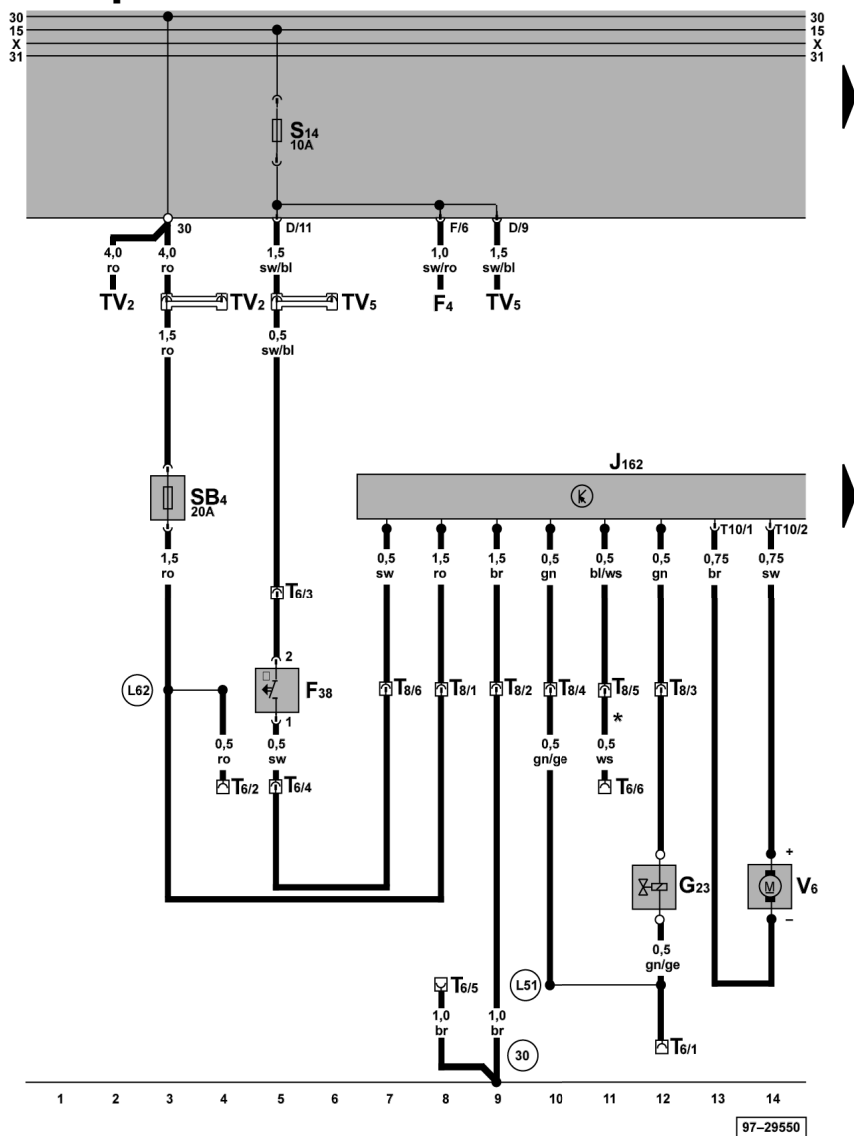
#### Fuse colours

- 30 A - green
- 25 A - white
- 20 A - yellow
- 15 A - blue
- 10 A - red
- 7.5 A - brown
- 5 A - beige
- 3 A - purple

# Transporter

## Current Flow Diagram

### No. 41 / 2



### Heater control unit D3W, ambient temperature switch, combustion air blower, fuel pump

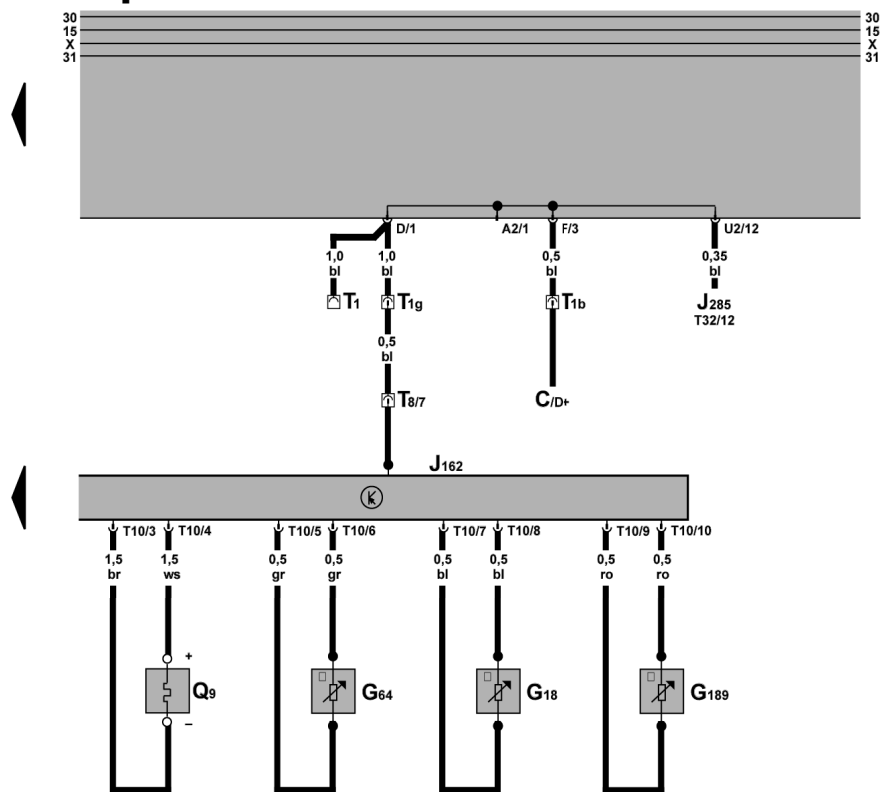
- F4 - Reversing light switch
- F38 - Ambient temperature switch
- G23 - Fuel pump
- J162 - Heater control unit D3W
- SB4 - Fuse -4- in fuse box/relay plate, below the relay plate
- T6 - 6-pin connector, in engine compartment, left
- T8 - 8-pin connector, near heater unit
- T10 - 10-pin connector
- TV2 - Terminal 30 junction box, red, both have 6-pin
- TV5 - Terminal 15a junction box, green, 4-pin and 8-pin
- V6 - Combustion air blower
- 30 - Earth point -1-, next to relay plate
- L51 - Positive (+) connection -1-, in auxiliary heater wiring harness
- L62 - Positive (+) connection (30a), in additional heater wiring harness
- \* - Wire for diagnostic signal

ws = white  
 sw = black  
 ro = red  
 br = brown  
 gn = green  
 bl = blue  
 gr = grey  
 li = purple  
 ge = yellow  
 or = orange  
 rs = pink

# Transporter

## Current Flow Diagram

No. 41 / 3



### Heater control unit D3W, temperature sensor, glow plug, flame monitor, overheating sensor

- C - Alternator
- G18 - Temperature sensor, in heater
- G64 - Flame monitor, in heater
- G189 - Overheating sensor, in heater
- J162 - Heater control unit D3W
- J285 - Control unit with display in dash panel insert
- Q9 - Glow plug for heater
- T1 - Single connector, behind relay plate
- T1b - Single connector, behind relay plate
- T1g - Single connector, behind relay plate
- T8 - 8-pin connector, near heater
- T10 - 10-pin connector
- T32 - 32-pin connector, on dash panel insert

- ws = white
- sw = black
- ro = red
- br = brown
- gn = green
- bl = blue
- gr = grey
- li = purple
- ge = yellow
- or = orange
- rs = pink

15 16 17 18 19 20 21 22 23 24 25 26 27 28

97-23384